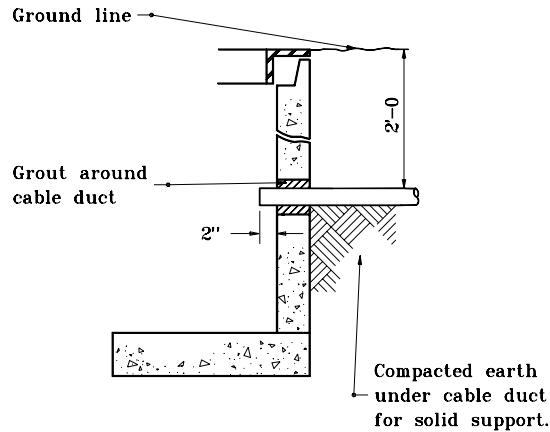
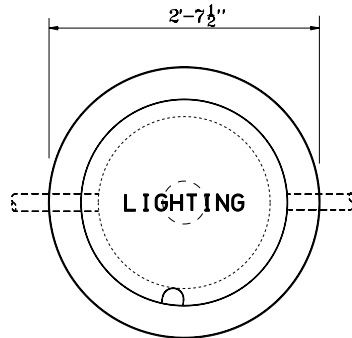
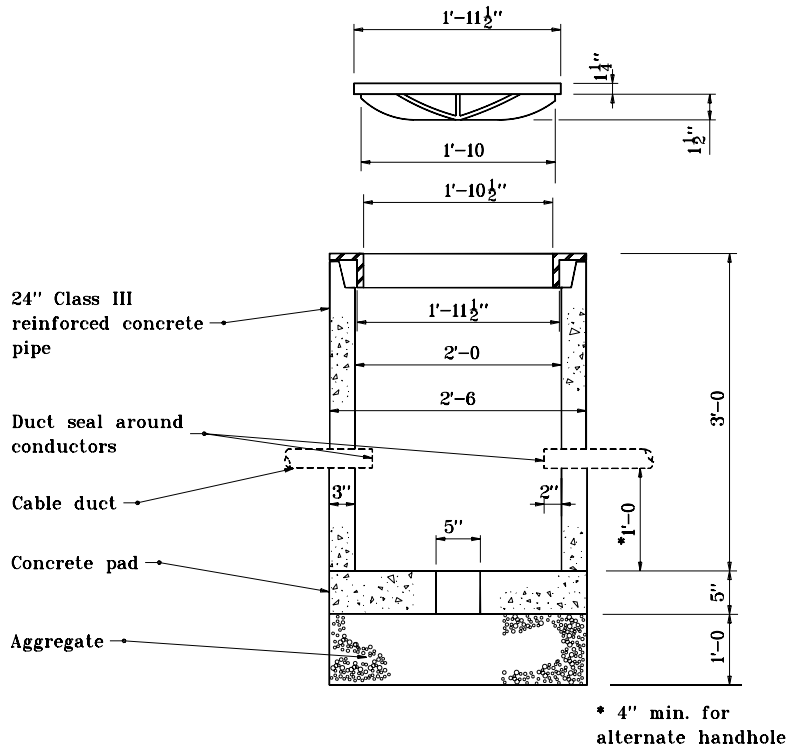


**GENERAL NOTES**

1. Alternate handhole minimum size shall be 1'-7" x 2'-6" x 1'-10" depth with 2 in. lid thickness.
2. Approximate weight for cast iron ring and cover shall be 320 lb.



**CABLE DUCT ENTERING HANDHOLE**



**STREET & ALLEY TYPE HANDHOLE**

\* 4" min. for alternate handhole

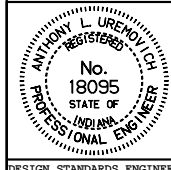
INDIANA DEPARTMENT OF TRANSPORTATION

**LIGHT HANDHOLE DETAILS**

MARCH 1995

STANDARD DRAWING NO. E 807-LTHH-01

DETAILS PLACED IN THIS FORMAT 7-27-99



/s/ Anthony L. Uremovich 7-27-99  
DESIGN STANDARDS ENGINEER DATE

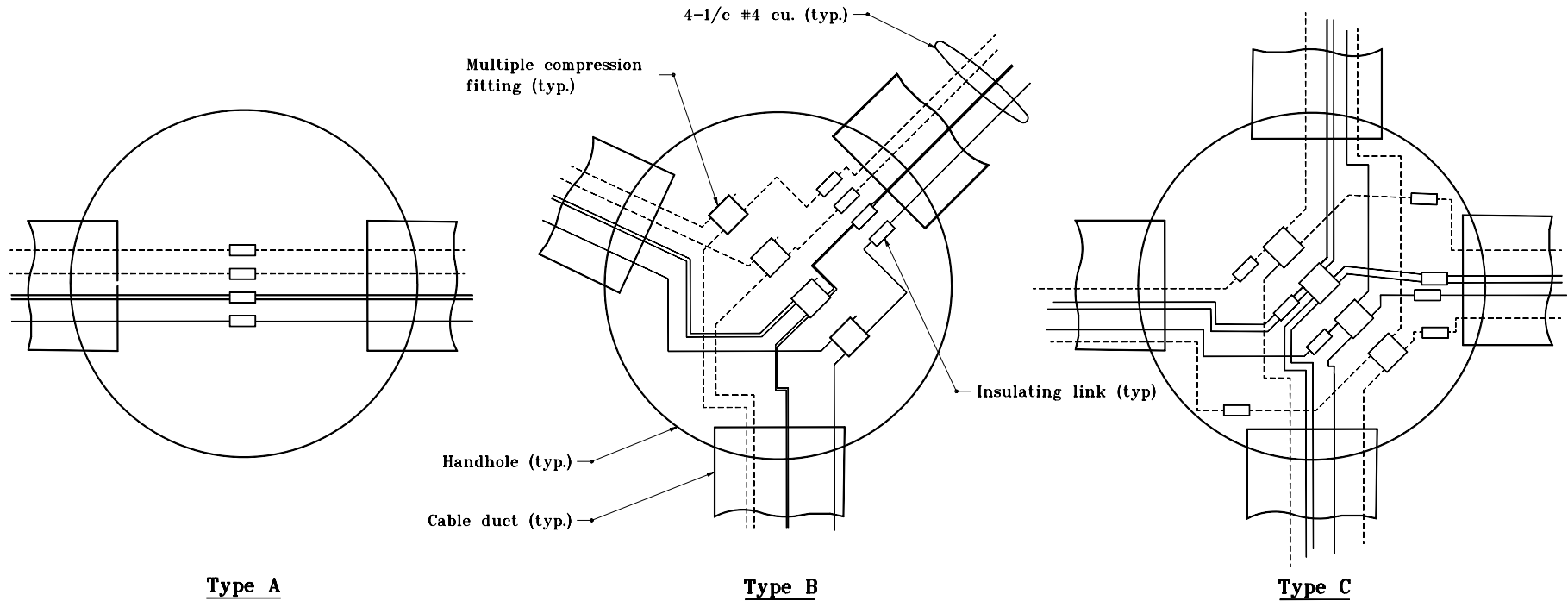
/s/ Firooz Zandi 7-27-99  
CHIEF HIGHWAY ENGINEER DATE

DESIGN STANDARDS ENGINEER

ORIGINALLY APPROVED 3-01-95

**GENERAL NOTES**

1. For multiple compression fitting and insulating link details, see Standard Drawing No. E 803-SNWR-04.



**HANDHOLE CONNECTION DIAGRAM**

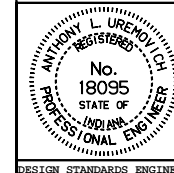
INDIANA DEPARTMENT OF TRANSPORTATION

**LIGHT HANDHOLE CONNECTIONS**

MARCH 1995

STANDARD DRAWING NO. **E 807-LTHH-02**

DETAILS PLACED IN THIS FORMAT 11-15-99

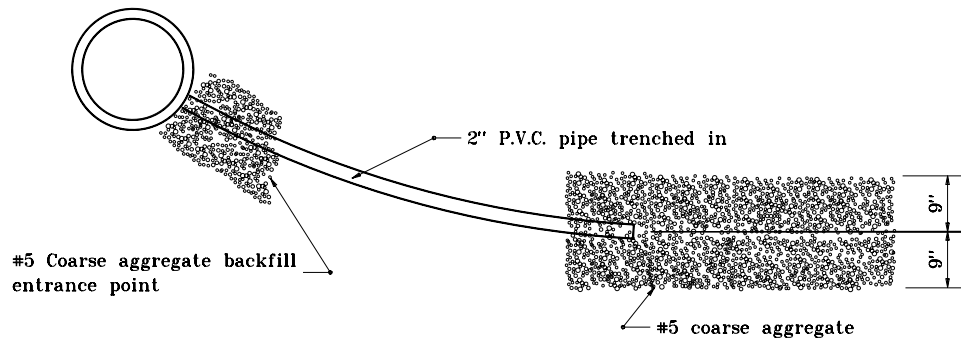


/s/ Anthony L. Uremovich 11-15-99  
DESIGN STANDARDS ENGINEER DATE

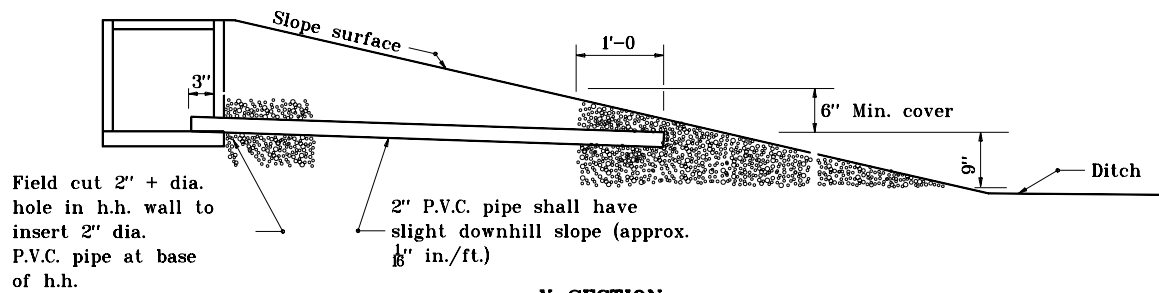
/s/ Firooz Zandi 11-15-99  
CHIEF HIGHWAY ENGINEER DATE

DESIGN STANDARDS ENGINEER

ORIGINALLY APPROVED 3-01-95

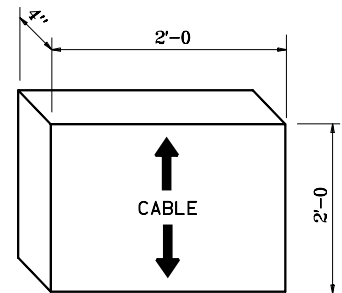


**PLAN VIEW**



**X-SECTION**

**HANDHOLE DRAIN DETAIL**



**CABLE MARKER**

|  |   |
|--|---|
| INDIANA DEPARTMENT OF TRANSPORTATION               |   |
| <b>LIGHT HANDHOLE DRAIN<br/>&amp; CABLE MARKER</b> |   |
| MARCH 1995   |   |
| STANDARD DRAWING NO. <b>E 807-LTHH-03</b>          |   |
|  | DETAILS PLACED IN THIS FORMAT 11-15-99                              |
|  | /s/ Anthony L. Uremovich 11-15-99<br>DESIGN STANDARDS ENGINEER DATE |
|  | /s/ Firooz Zandi 11-15-99<br>CHIEF HIGHWAY ENGINEER DATE            |
|  | ORIGINALLY APPROVED 3-01-95   |